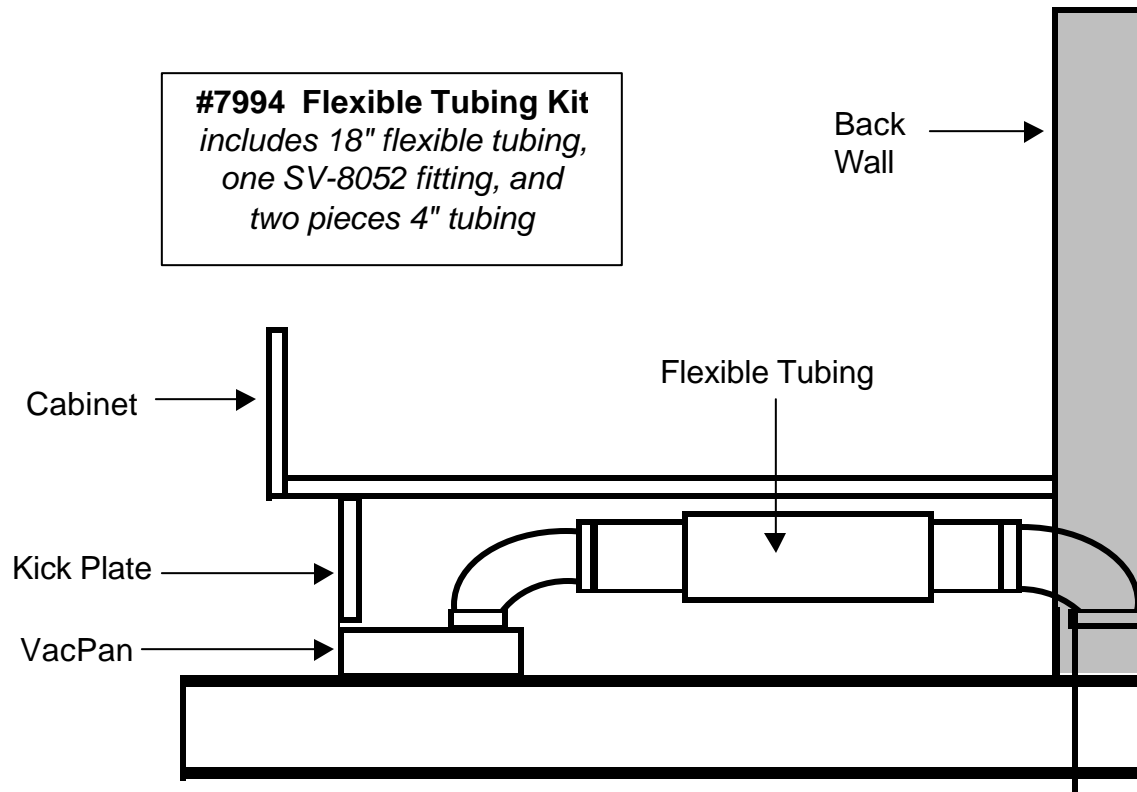


VacPan Using Flexible Tubing



During Pre-pipe:

1. Run vacuum pipe up into wall as you would for an inlet valve.
2. Come out of the wall a couple of inches off the floor with a 90° sweep.
3. Glue to a 4-inch PVC pipe to the 90° sweep.
4. Attach a length of 2-inch flex tubing to PVC (glue or wire tie).
5. Come out of the VacPan top with a tight 90° (SV-8052) and 4-inch PVC tubing. Do NOT glue the tight 90° to the VacPan (this allows for future service if necessary).
7. Attach the other end of the flex tubing to the VacPan; be sure to run low-voltage wire at the same time.
8. When complete, bend VacPan assembly around, cover with plastic bag, and wire tie to hold in place.

NOTE: Cabinet installers will clip the wire tie, let the VacPan spring back out, and will cut the appropriate hole in the kick plate.

9. Secure VacPan during completion.